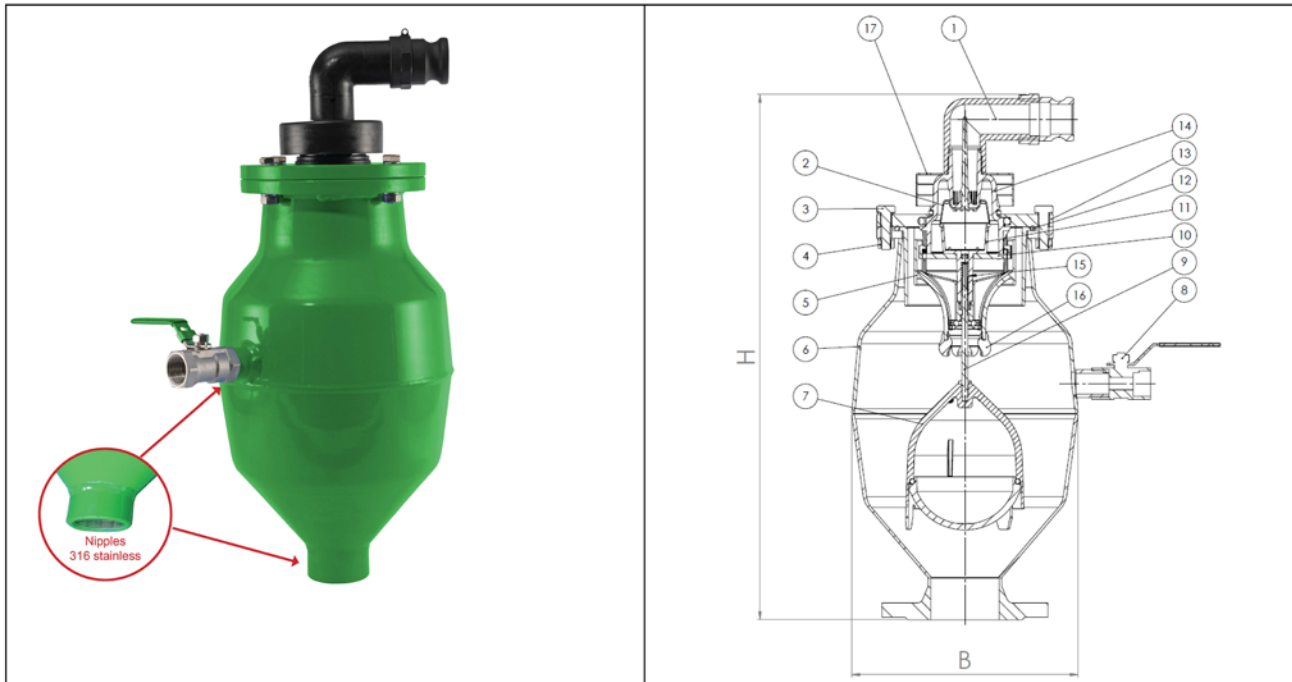


Automatic Air and Vacuum Valve for Waste Water and Potable Water



Model 986

Automatic air release and vacuum valve, epoxy powder coated,
for operating range: 0 – 250 PSI (17.2 Bar)



Type	Size ANSI	Maximum Pressure PSI/Bar	Body Material	Overall Width B Inch/mm	Overall Height H Inch/mm	Weight lbs./Kg
Thread	2" FNPT	250 PSI 17.2 Bar	Steel	10.75" 270 mm	24.4" 620 mm	37 lbs. 16.8 Kg
Thread	3" FNPT	250 PSI 17.2 Bar	Steel	10.75" 270 mm	24.4" 620 mm	40 lbs. 18.2 Kg
Flange	2" ANSI	250 PSI 17.2 Bar	Steel	10.75" 270 mm	24.72" 615 mm	44 lbs. 20 Kg
Flange	3" ANSI	250 PSI 17.2 Bar	Steel	10.75" 270 mm	24.72" 615 mm	49 lbs. 22.2 Kg
Flange	4" ANSI	250 PSI 17.2 Bar	Steel	10.75" 270 mm	24.72" 615 mm	55 lbs. 25 Kg

Dimensions 6" and 8" on request!

Features:

Automatic and infinitely variable air valve for potable water and waste water applications.

Maximum Operating Pressure: 250 PSI (17.2 Bar)

Operating Range: 0 – 250 PSI (0 -17.2 Bar)

Valve body of epoxy-coated steel. Threaded connections made of stainless steel 316.

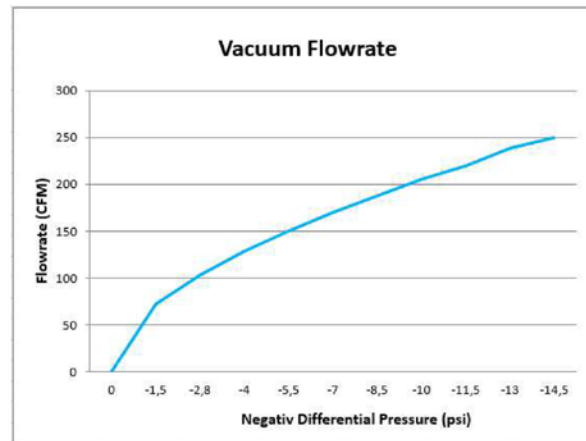
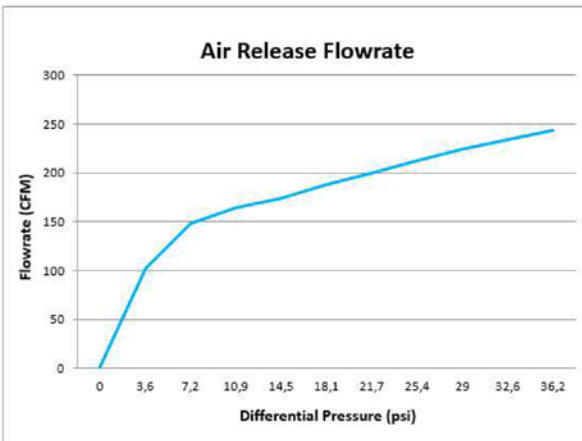
Valve seat does not contact the medium (air cushion). Two connections for effective flushing during maintenance work (top inlet flushing connection). All mechanical parts are manufactured of corrosion-resistant materials; valve body is epoxy-coated steel. Read and follow the operating and maintenance instructions. Please, mention the intended use for potable water application on the order form.

Automatic Air and Vacuum Valve for Waste Water and Potable Water



Materials:

No.	Component	Series – epoxy-coated steel
2	Diaphragm	Buna HNBR
5	Debris shield	Homopolymer (PP)
6	Body	Steel - epoxy powder coated
7	Float	Delrin® (POM)
10	Debris screen	Delrin® (POM)
11	Diaphragm holder	Delrin® (POM)
14	Upper air valve part	Delrin® (POM)



Valve Maintenance:

Air valves must be tested for function and maintained at least once per year. Valve must be shut off and flushed at both lateral connections.

Infinitely variable surge protection

In general understanding the surge protection of an ARV is a measure taken to protect the pipeline system. Filling of the pipeline should be within international standards to prevent water hammer (5ft/s) or (0,25m/s) and correct opening and closing of valves is fundamental.

The design of the H-TEC 986 ARV allows for large volumes of air (in/out). The unique function for infinite air release/intake, due to the automatic movements of the diaphragm in operation modus, (e.g. Fluid level rises, diameter of orifice is reducing infinitely variable) soft sealing and slowing the water column preventing water hammer.

Traditional ARV's operate with two functions: open or closed. The rubber diaphragm of the H-TEC model 986 is infinitely variable operating. In case of increased velocity in the valve the float will lift slow and throttle down the air flow. This function slows the water column, water hammer from this ARV will not occur. The H-TEC 986 ARV has an integrated pressure spring on the vertical shaft attached to the float. This mechanical feature protects from vibrations, smooth function, prevents amplified movements. No additional surge prevention unit necessary!