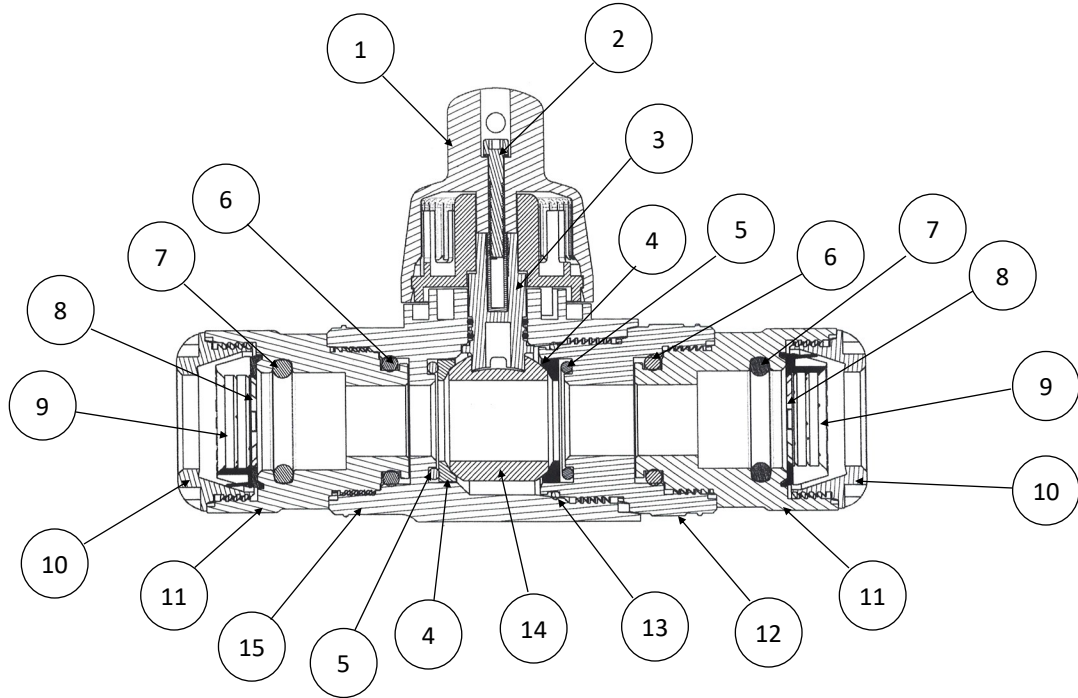
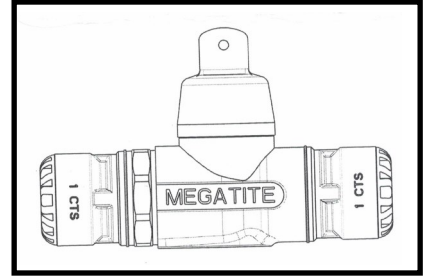


# SUBMITTAL INFORMATION

Straight Ball Service Valves: 210-X\_X\_

Megatite Ballvalves—Push fit connections



**PARTS AND MATERIAL:**

1. CAP: NYLON COMPOSITE
2. SCREW AND WASHER: 304 STAINLESS STEEL
3. STEM W/ O-RINGS: NYLON WITH NBR RUBBER NSF 61 APPROVED
4. BALL VALVE SEAT: PLASTIC NSF 61 APPROVED
5. O-RING: NBR RUBBER NSF 61 APPROVED
6. O-RING: NBR RUBBER NSF 61 APPROVED
7. O-RING: NBR RUBBER NSF 61 APPROVED
8. RETAINING RING: PLASTIC NSF 61 APPROVED
9. GRIPPER: PLASTIC NSF 61 APPROVED
10. NUT: NYLON COMPOSITE NSF 61 APPROVED
11. MEGATITE BODY: NYLON COMPOSITENSF 61 APPROVED
12. Ball valve END BODY: NYLON COMPOSITE NSF 61 APPROVED
13. O-RING: NBR RUBBER NSF 61 APPROVED
14. BALL: PLASTIC NSF 61 APPROVED
15. BODY: NYLON COMPOSITE NSF 61 APPROVED

**FEATURES:**

- PUSH-FIT POSITIVE STOP CONNECTION FOR ALL COPPER TUBE SIZE PLASTIC PIPES (NO WRENCH NEEDED)
- FULL FLOW WATERWAY
- ENGINEERED FLAT BOTTOM DESIGN ALLOWS FOR PROPER NESTING OF VALVE
- HEAVY CROSS SECTION PATTERN DESIGNED TO WITHSTAND THE TOUGHNESS REQUIRED ON A CONTRACTOR JOBSITE
- DESIGNED FOR ALL NORTH AMERICAN CLIMATES

Valve Size	Catalog No.	Megatite	Megatite	Length	Height	Approx Wt. LBS
3/4"	210-X3X3	3/4"	3/4"	12 1/2"	5 1/2"	
1"	210-X4X4	1"	1"	12 1/2"	5 1/2"	
3/4" x 1"	210-X3X4	3/4"	1"	12 1/2"	5 1/2"	
1" x 3/4"	210-X4X3	1"	3/4"	12 1/2"	5 1/2"	



Submitted by: